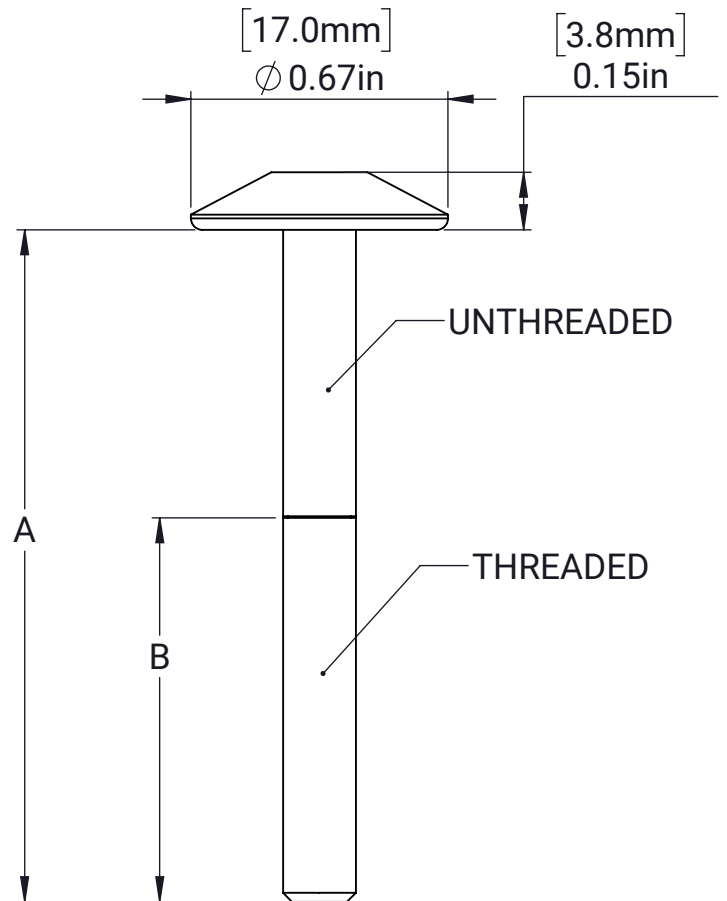
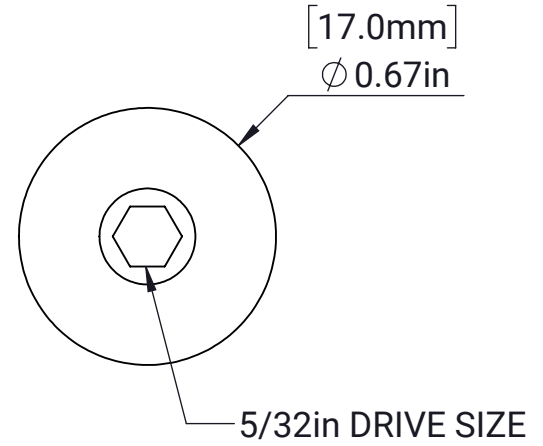


#10-32 Shaft End Screws V2

Part #	Length (A)	Thread Length (B)
REV-21-2805	[12.7mm] 0.5in	[12.7mm] 0.5in
REV-21-3738	[31.8mm] 1.25in	[31.8mm] 1.25in
REV-21-3739	[44.5mm] 1.75in	[25.40mm] 1in
REV-21-3740	[69.9mm] 2.75in	[25.40mm] 1in
REV-21-3741	[95.3mm] 3.75in	[25.40mm] 1in



MATERIAL:

Alloy Steel

FINISH:

Black Oxide

DATE:

12/10/2024