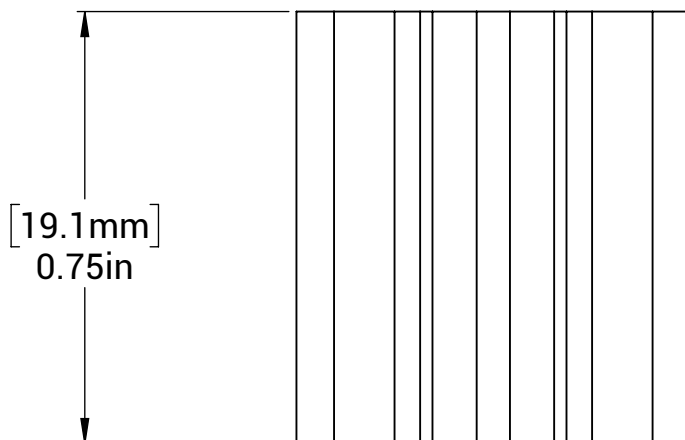


REV-21-1998: 10 TOOTH
 REV-21-1999: 11 TOOTH
 REV-21-2000: 12 TOOTH

ALL HAVE THE SAME PITCH
 DIAMETER OF 0.600"

ANY CAN BE SWAPPED FOR
 EACH OTHER WITHOUT THE
 CENTER TO CENTER DISTANCE
 IN DESIGN CHANGING



MM SHEET TOLERANCES:

X ± 0.50 MM
 X.X ± 0.10 MM
 X.XX ± 0.05 MM
 ANGLES ± 2°

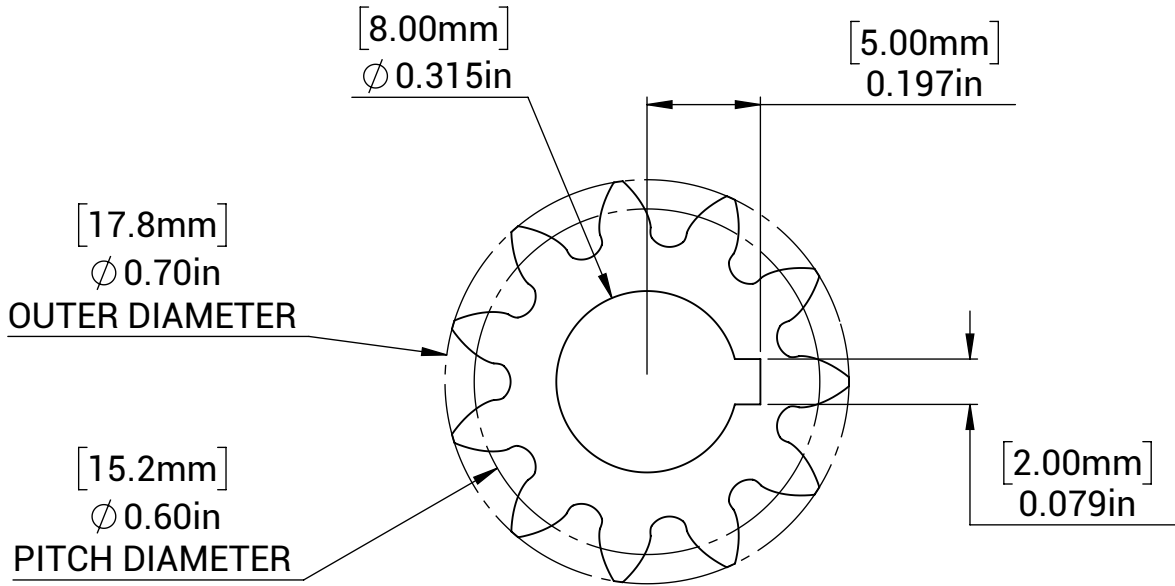
INCH SHEET TOLERANCES:

X ± 0.1 IN
 X.X ± 0.02 IN
 X.XX ± 0.004 IN
 X.XXX ± 0.002 IN
 ANGLES ± 2°

MATERIAL:

STEEL

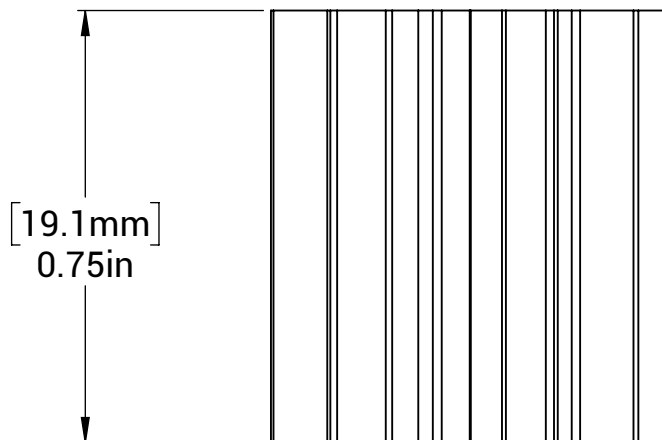
DATE: 2/12/2021



REV-21-1998: 10 TOOTH
 REV-21-1999: 11 TOOTH
 REV-21-2000: 12 TOOTH

ALL HAVE THE SAME PITCH
 DIAMETER OF 0.600"

ANY CAN BE SWAPPED FOR
 EACH OTHER WITHOUT THE
 CENTER TO CENTER DISTANCE
 IN DESIGN CHANGING



MM SHEET TOLERANCES:

X ± 0.50 MM
 X.X ± 0.10 MM
 X.XX ± 0.05 MM
 ANGLES ± 2°

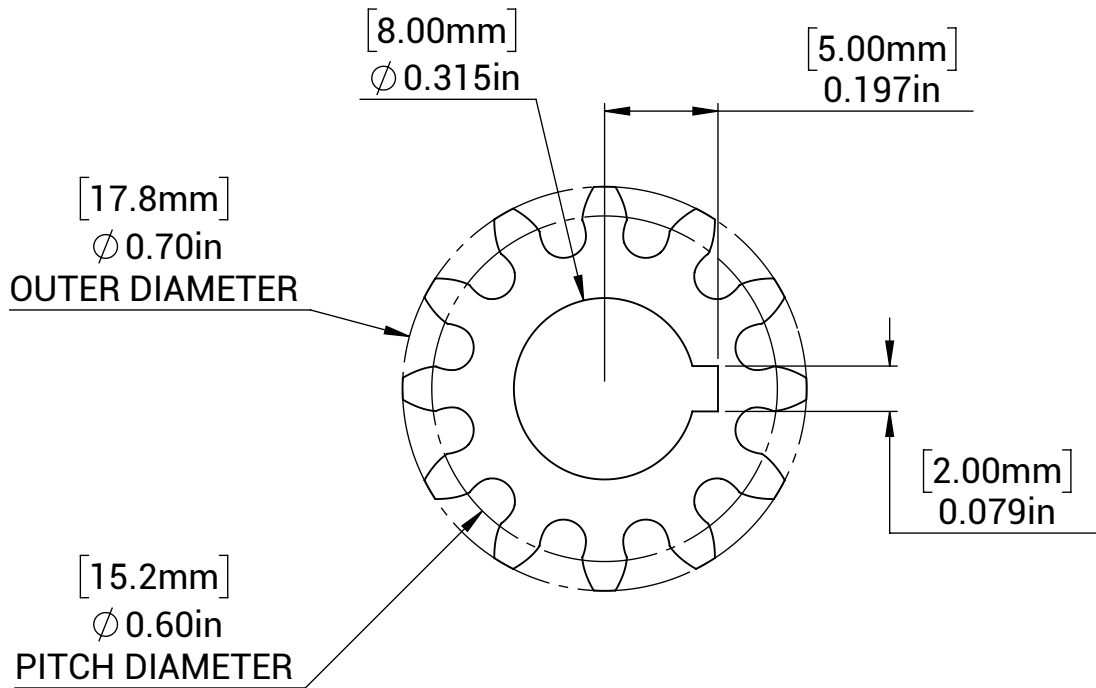
INCH SHEET TOLERANCES:

X ± 0.1 IN
 X.X ± 0.02 IN
 X.XX ± 0.004 IN
 X.XXX ± 0.002 IN
 ANGLES ± 2°

MATERIAL:

STEEL

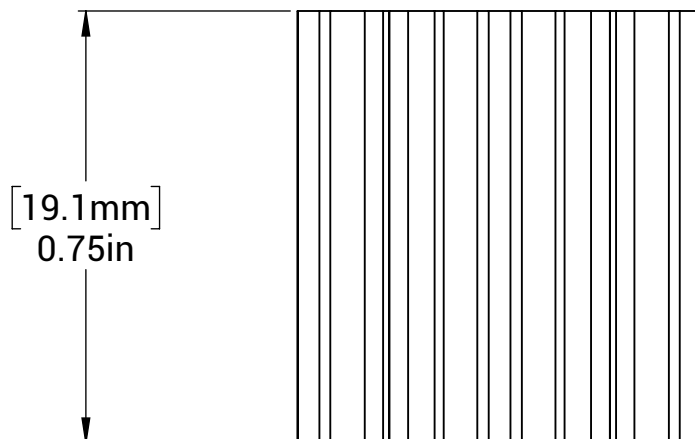
DATE: 2/12/2021



REV-21-1998: 10 TOOTH
 REV-21-1999: 11 TOOTH
 REV-21-2000: 12 TOOTH

ALL HAVE THE SAME PITCH
 DIAMETER OF 0.600"

ANY CAN BE SWAPPED FOR
 EACH OTHER WITHOUT THE
 CENTER TO CENTER DISTANCE
 IN DESIGN CHANGING



MM SHEET TOLERANCES:

X ± 0.50 MM
 X.X ± 0.10 MM
 X.XX ± 0.05 MM
 ANGLES ± 2°

INCH SHEET TOLERANCES:

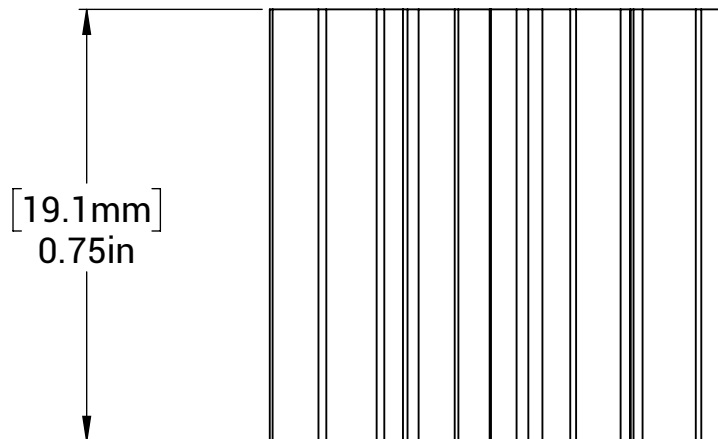
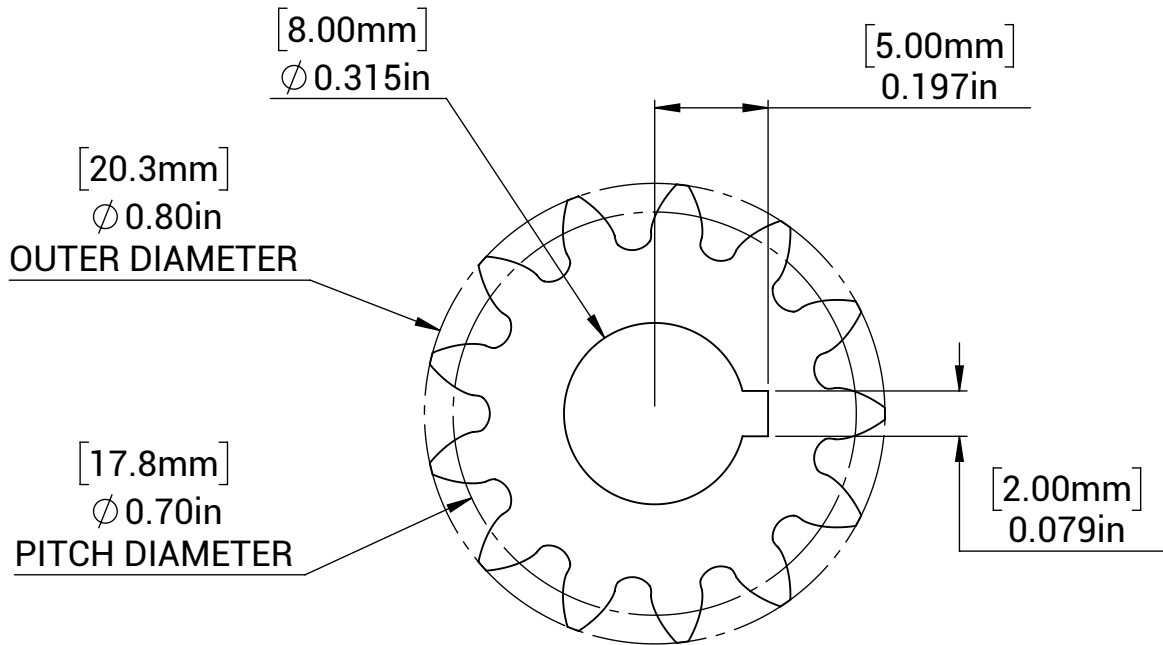
X ± 0.1 IN
 X.X ± 0.02 IN
 X.XX ± 0.004 IN
 X.XXX ± 0.002 IN
 ANGLES ± 2°

MATERIAL:

STEEL

DATE: 2/12/2021

20DP NEO PINION GEAR - 13 TOOTH



HAS THE SAME PITCH
DIAMETER (0.700in) AS
REV-21-2002: 14 TOOTH

CAN BE SWAPPED FOR
EACH OTHER WITHOUT
THE CENTER TO CENTER
DISTANCE IN DESIGN
CHANGING

MM SHEET TOLERANCES:

X ± 0.50 MM
X.X ± 0.10 MM
X.XX ± 0.05 MM
ANGLES ± 2°

INCH SHEET TOLERANCES:

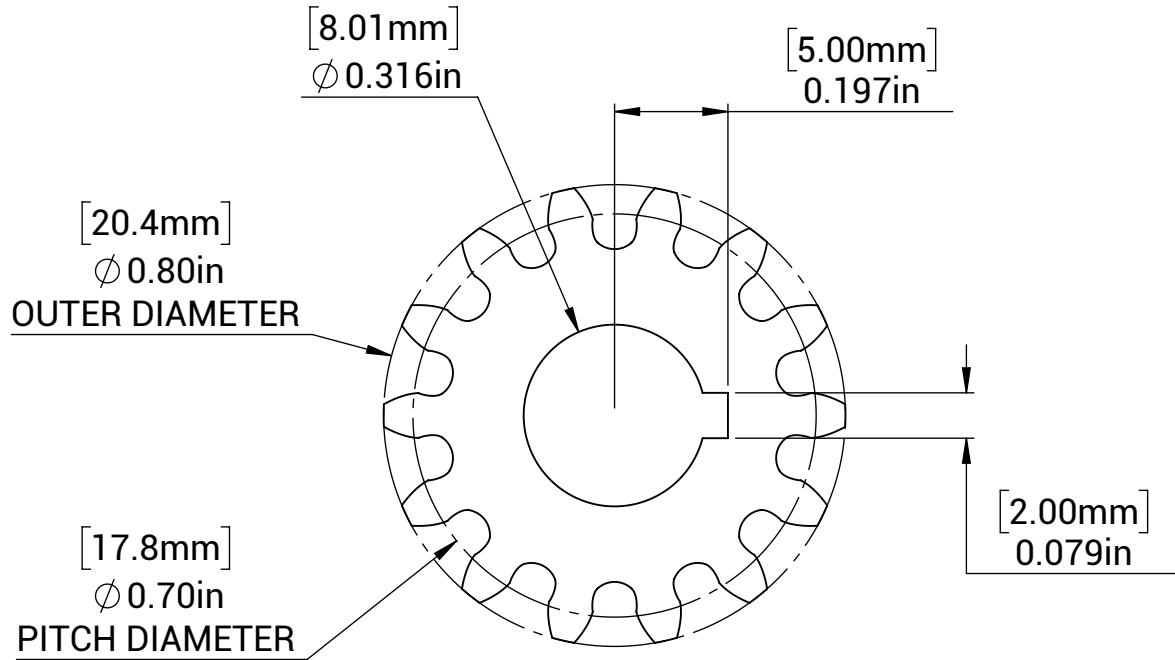
X ± 0.1 IN
X.X ± 0.02 IN
X.XX ± 0.004 IN
X.XXX ± 0.002 IN
ANGLES ± 2°

MATERIAL:

STEEL

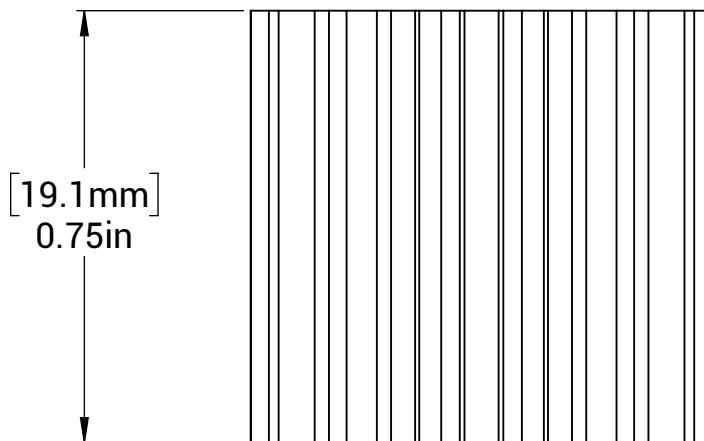
DATE: 2/12/2021

20DP NEO PINION GEAR - 14 TOOTH



HAS THE SAME PITCH DIAMETER (0.700in) AS REV-21-2001: 13 TOOTH

CAN BE SWAPPED FOR EACH OTHER WITHOUT THE CENTER TO CENTER DISTANCE IN DESIGN CHANGING



MM SHEET TOLERANCES:

X ± 0.50 MM
X.X ± 0.10 MM
X.XX ± 0.05 MM
ANGLES ± 2°

INCH SHEET TOLERANCES:

X ± 0.1 IN
X.X ± 0.02 IN
X.XX ± 0.004 IN
X.XXX ± 0.002 IN
ANGLES ± 2°

MATERIAL:

STEEL

DATE: 2/12/2021