



3in MAXSwerve Module

REV-21-3005

Part Graphic Number	Part Number	Part Name	Quantity
1	REV-21-3005-P02	3in MAXSwerve Module - Top Plate	1
2	REV-11-1271	Through Bore Encoder	1
3	REV-21-3005-P11	3in MAXSwerve Module - Drive Spur Gear	1
4	REV-21-3005-P06	3in MAXSwerve Module - Bevel Pinion	1
5 (Teeth vary on speed)	REV-21-3005-P09	3in MAXSwerve Module - Low Speed Pinion 12T	1
5 (Teeth vary on speed)	REV-21-3005-P22	3in MAXSwerve Module - Mid Speed Pinion 13T	1
5 (Teeth vary on speed)	REV-21-3005-P23	3in MAXSwerve Module - High Speed Pinion 14T	1
6	REV-21-3005-P03	3in MAXSwerve Module - Steering Gear	1
7	REV-21-3005-P18	3in MAXSwerve Module - Wheel Axle	1
8	REV-21-3005-P01	3in MAXSwerve Module - Bottom Plate	1
9	REV-21-3005-P08	3in MAXSwerve Module - Steering Pinion 14T	1
10	REV-41-1607	UltraPlanetary 550 Motor Plate	1
11	REV-21-3005-P07	3in MAXSwerve Drive - Wheel Bevel Gear	1
12	REV-21-3005-P15	3in MAXSwerve Module - Wheel Hub	1
13	REV-21-3004	3in MAXSwerve Wheel - Plastic - V2.0	2
14	REV-21-3005-P04	3in MAXSwerve Module - Active Fork	1
15	REV-21-3005-P05	3in MAXSwerve Module - Passive Fork	1
16	REV-41-1608	UltraPlanetary 550 Motor Pinion Gear - 13 Tooth	2
17	REV-21-3005-P12	3in MAXSwerve Module - UltraPlanetary Block	1
18 (Label on Cartridge)	REV-41-1601	UltraPlanetary Cartridge - 3:1	1
19 (Label on Cartridge)	REV-41-1602	UltraPlanetary Cartridge - 4:1	1
20	REV-22-2997	3in MAXSwerve Module Calibration Tool	1
N/A	REV-21-2998	3in MAXSwerve Module - SPARK MAX Mounting Bracket	1
N/A	REV-11-3327	JST PH 6-pin Extension Cable - 30cm	1
N/A	REV-11-3326	Absolute Encoder Adapter	1
REV-21-2986		3in MAXSwerve V1 to V1.1 Upgrade Kit	
21	REV-21-3005-P26	3in MAXSwerve Module - Encoder Bridge	1
22	REV-21-3005-P25-PK3	3in MAXSwerve Module - Short Key - 3 Pack	1
23	REV-21-3005-P24	3in MAXSwerve Module - Pinion Spacer	1
REV-21-2999		3in MAXSwerve Module Bearing Pack	
24	6800ZZ	10mm x 19mm x 5mm Bearing	1
25	F688ZZ	8mm x 16mm x 5mm Bearing	1
26	F6900ZZ	10mm x 22mm x 6mm Bearing	2
27	6701ZZ	12mm x 18mm x 4mm Bearing	2
28	MR106ZZ	6mm x 10mm x 3mm Bearing	2
29	6812ZZ	60mm x 78mm x 10mm Bearing	1
REV-21-3000		3in MAXSwerve Module Hardware Pack	
30	REV-29-2922	Socket Head Screws #10-32 x1in	4
31	REV-29-2951	Button Head Hex Drive Screws #10-32 x1in	6
32	REV-41-2974	M3 x 25mm Socket Head Cap Screw	2
33	REV-29-2930	Socket Head Screws #10-32 x2in	4
34	REV-41-2973	M3 x 60mm Socket Head Cap Screw	4
35	REV-29-2941	Button Head Hex Drive Screws #10-32 x3/8in	7
36	REV-29-2943	Button Head Hex Drive Screws #10-32 x1/2in	2
37	REV-29-1016	#10-32 Low Profile Nylon Lock Nut	3
REV-21-3001		3in MAXSwerve Module Spacer Pack	
38	REV-21-3005-P19	3in MAXSwerve Module - Wheel Spacer	2
39	REV-21-3005-P14	3in MAXSwerve Module - Structural Spacer	3

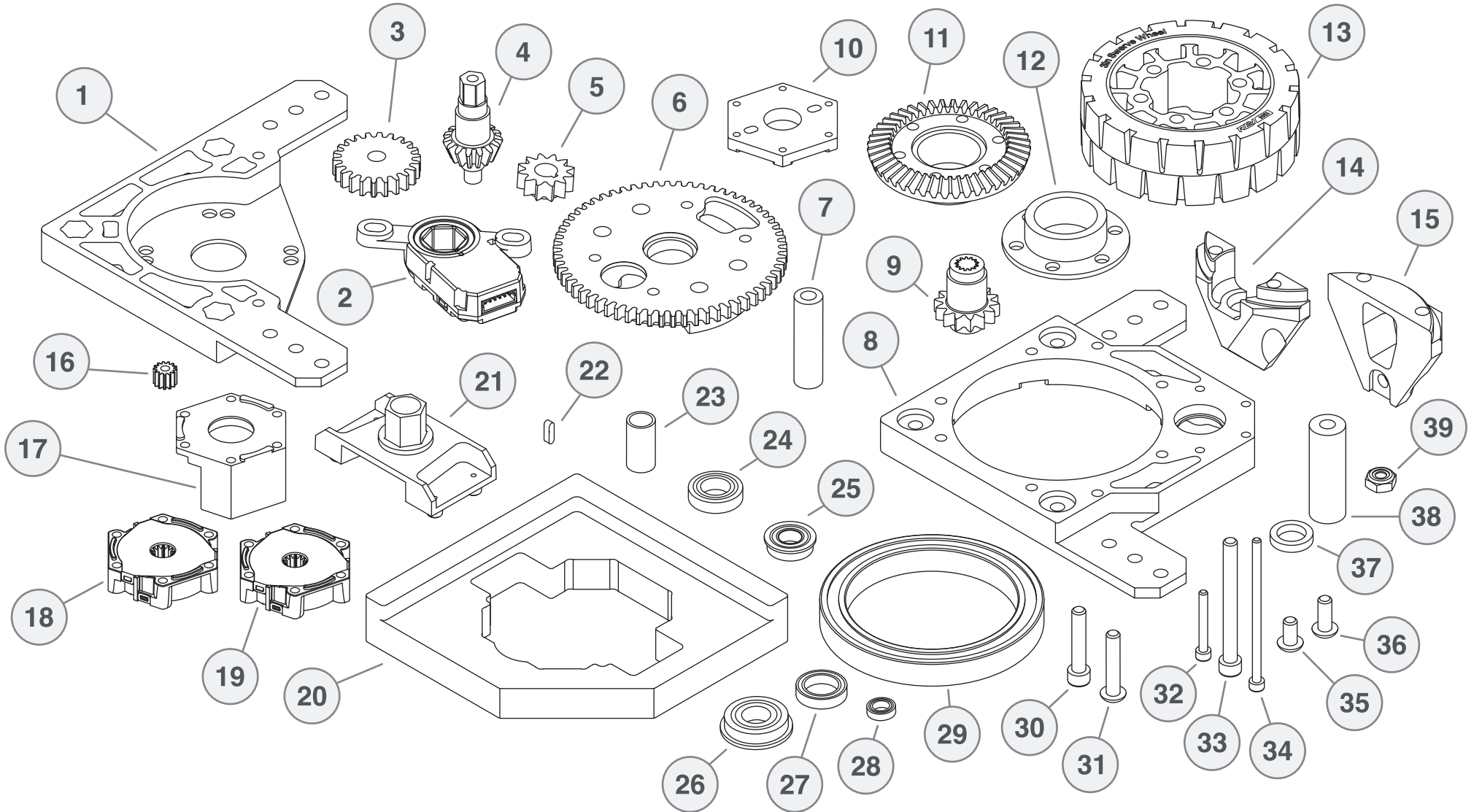
For step-by-step assembly instructions, visit us at:
<https://docs.revrobotics.com/ion-build-system/build-guides/3in-maxswerve-module>





3in MAXSwerve Module

REV-21-3005



For step-by-step assembly instructions, visit us at:
<https://docs.revrobotics.com/ion-build-system/build-guides/3in-maxswerve-module>

