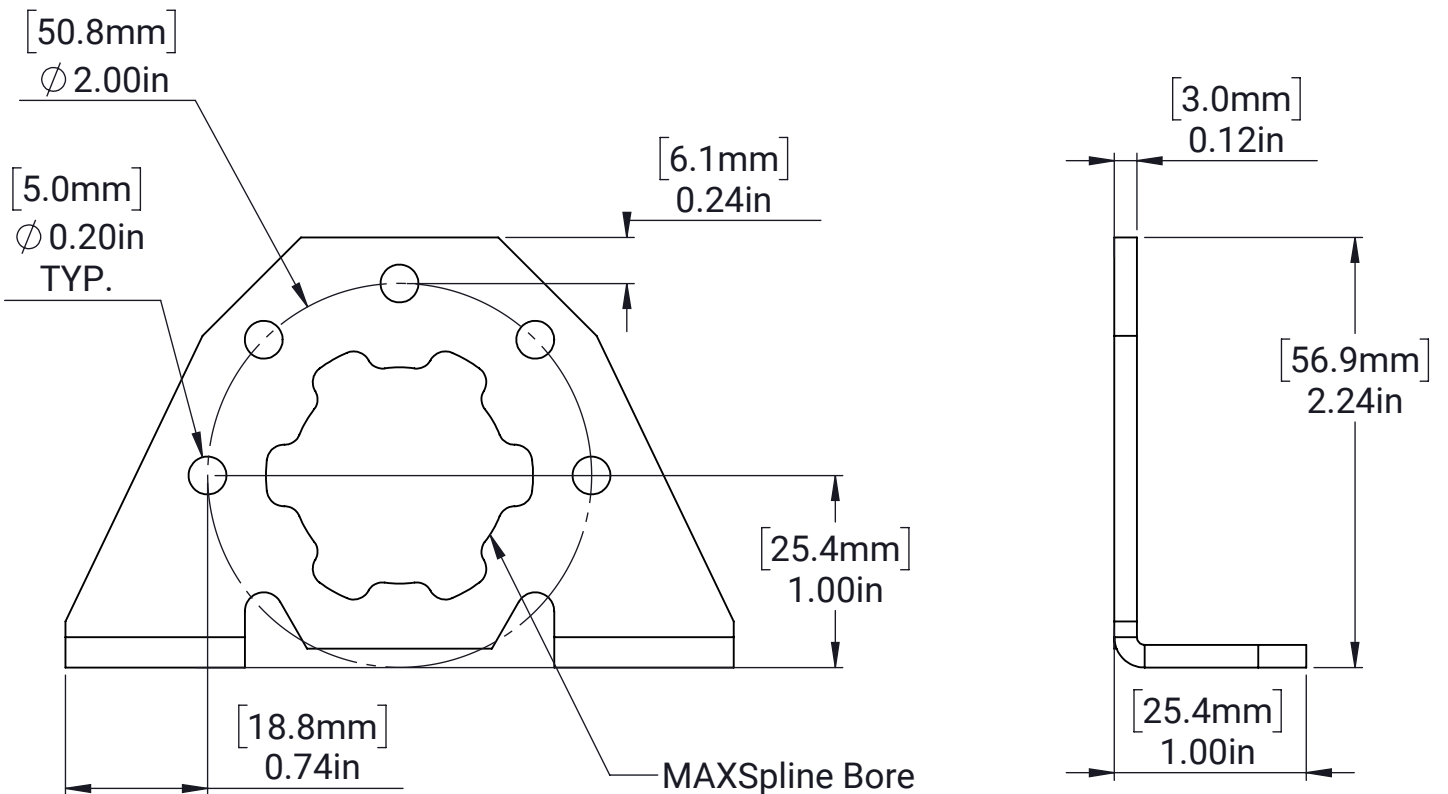
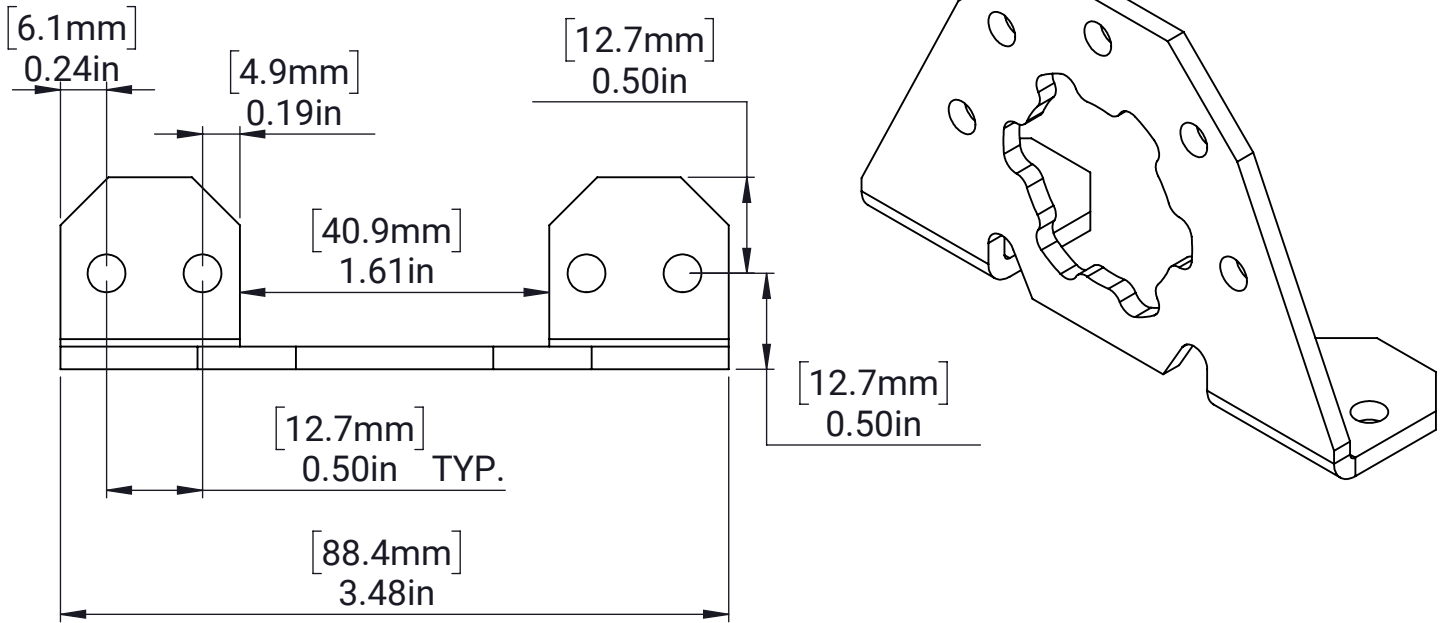


MAXSpline Bracket - Motor Mount - Bent



MATERIAL:

5052 Aluminum

FINISH:

Plain

DATE:

12/16/2024