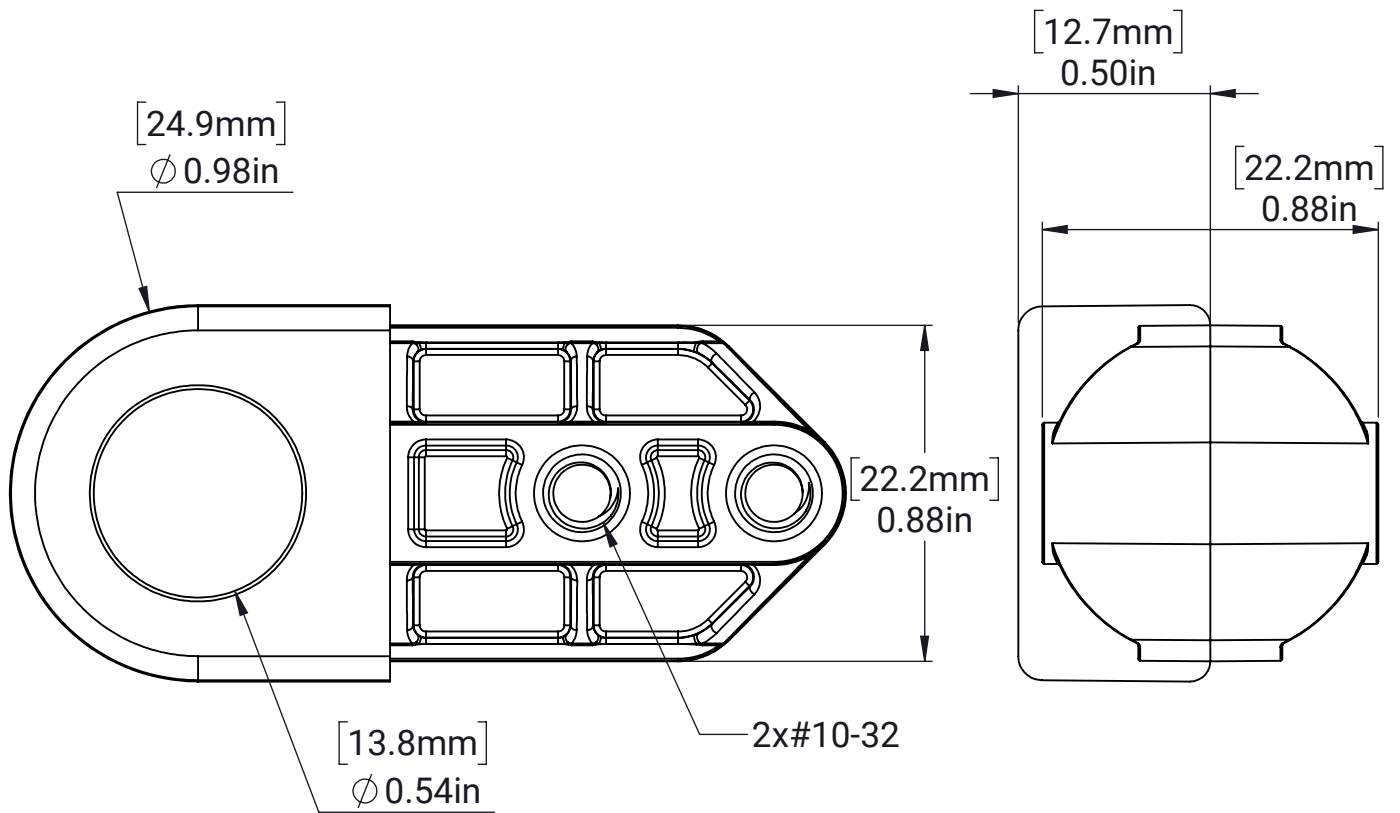
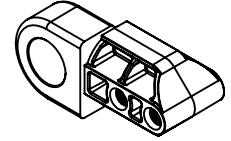


1in Pivot Joint



MATERIAL:

POM (Acetal/Delrin)

FINISH:

N/A

DATE:

6/16/2022