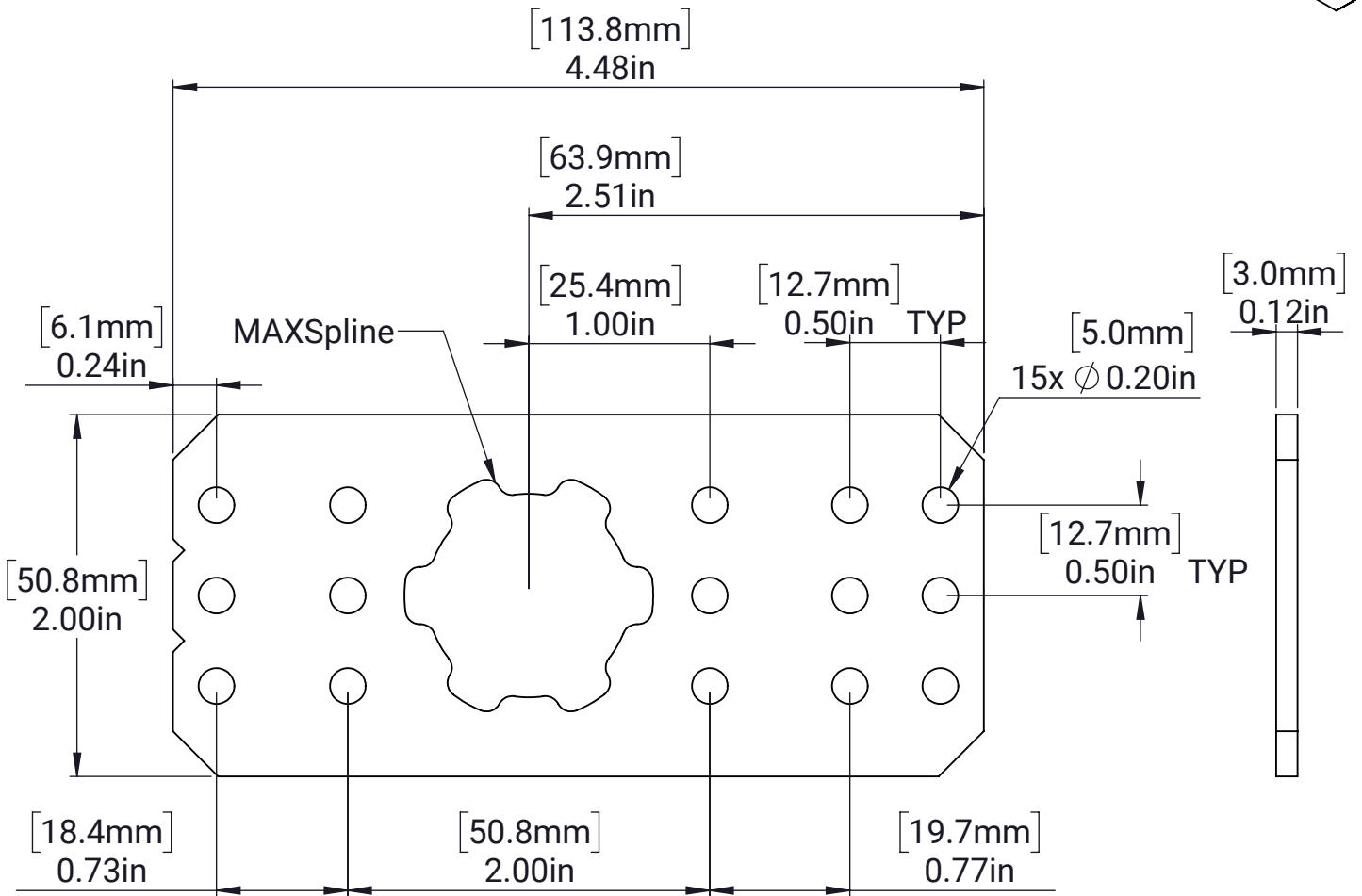
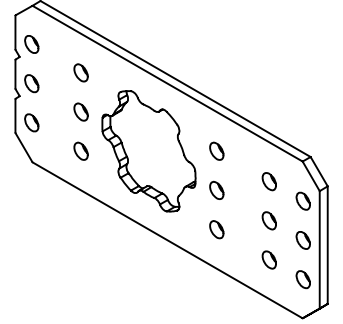


## Ratio Plate - 2:1



MATERIAL:

Aluminum 5052

FINISH:

Black Anodized

DATE:

6/16/2022