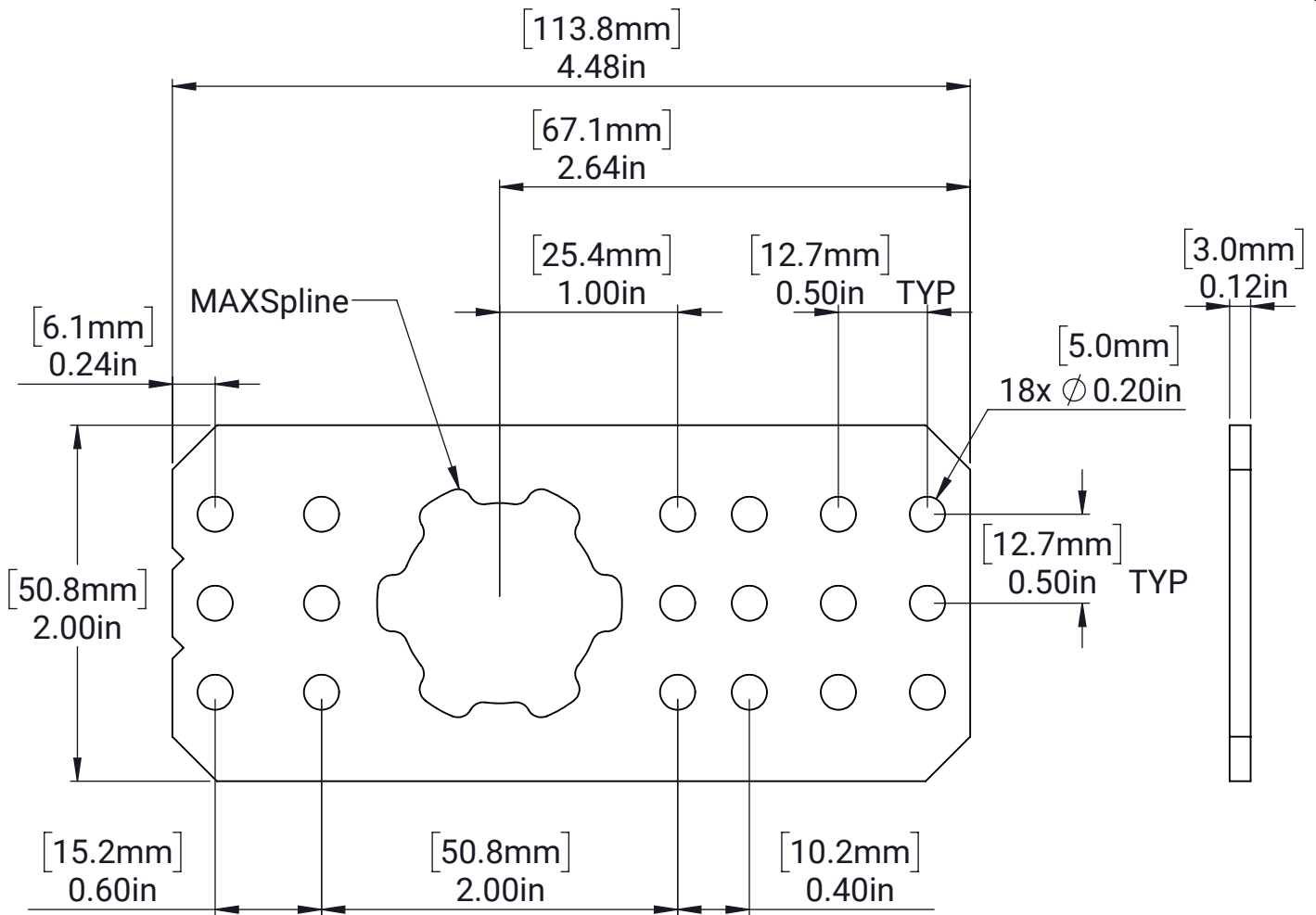
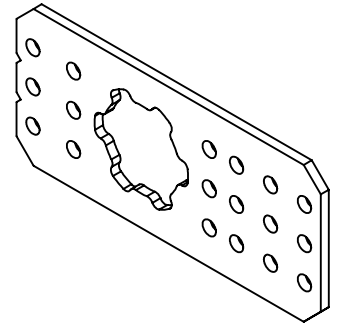


Radio Plate - 4:1



MATERIAL:

Aluminum 5052

FINISH:

Black Anodized

DATE:

6/16/2022