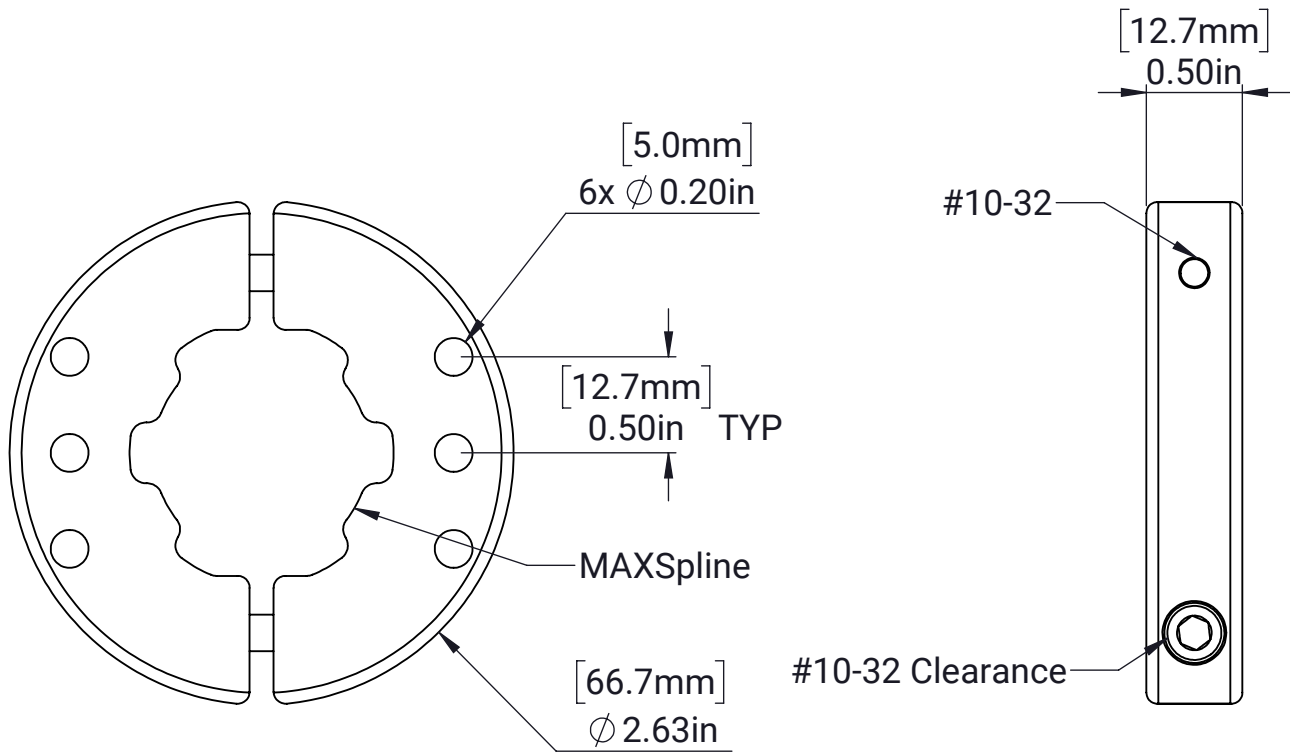
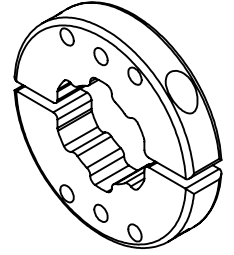


MAXSpline Shaft Collar



MATERIAL:

Aluminum 6061

FINISH:

Black Anodized

DATE:

6/16/2022