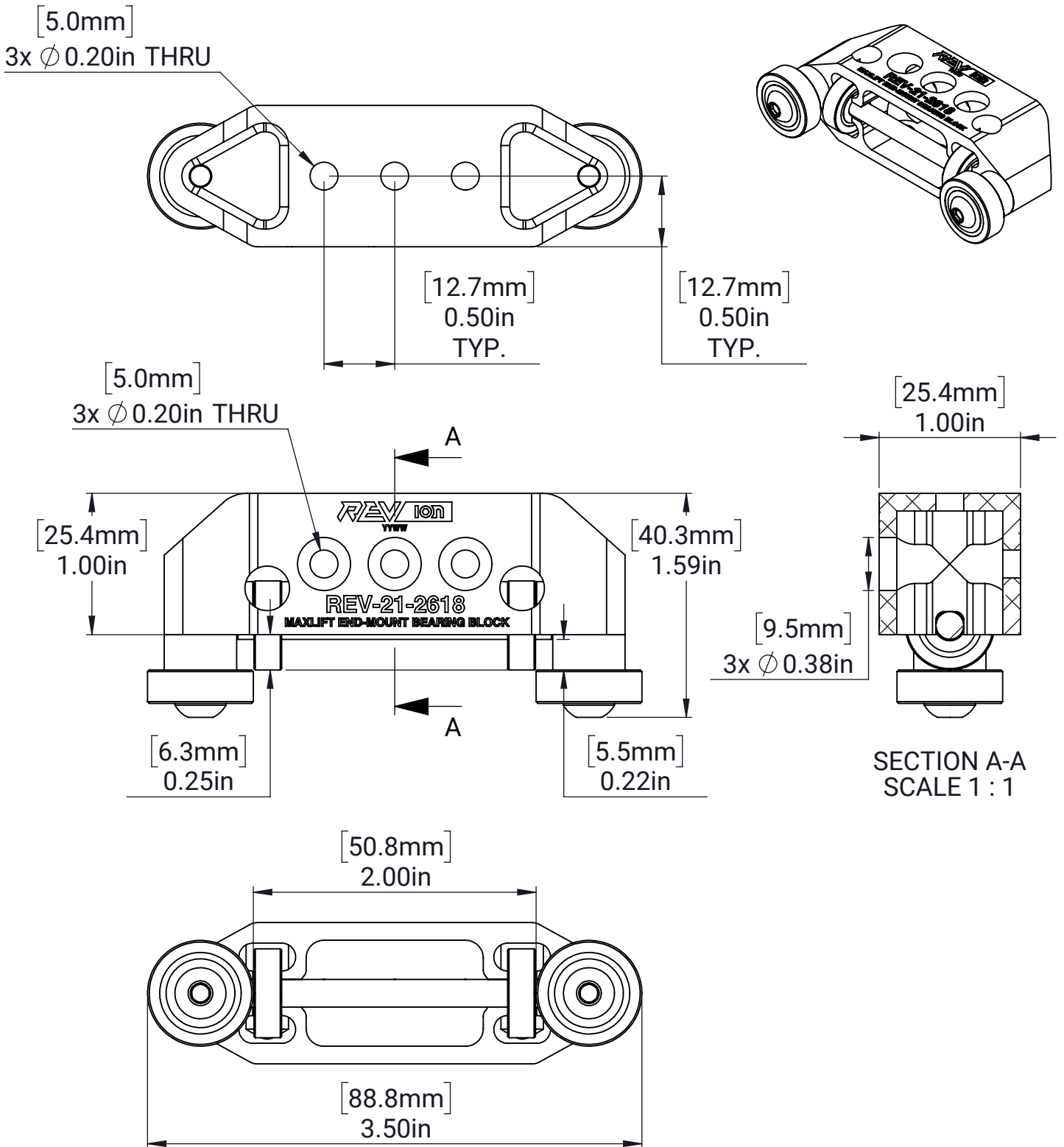


MAXLift End-Mount Bearing Block



MATERIAL:

N/A

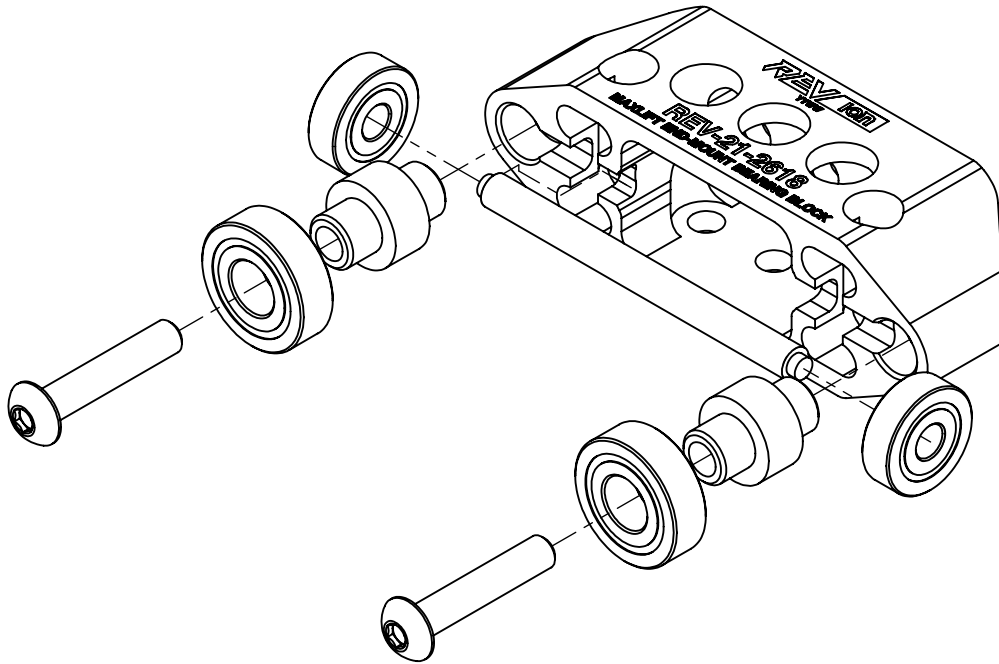
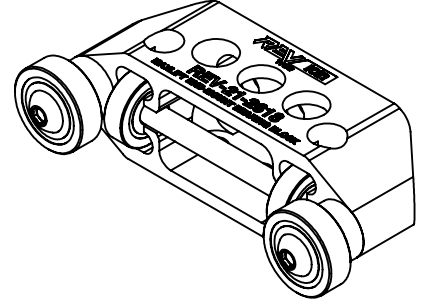
FINISH:

N/A

DATE:

1/7/2025

MAXLift End-Mount Bearing Block



MATERIAL:

N/A

FINISH:

N/A

DATE:

1/7/2025