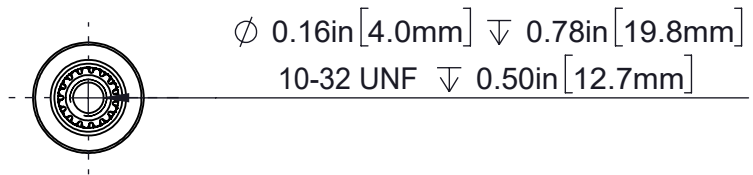
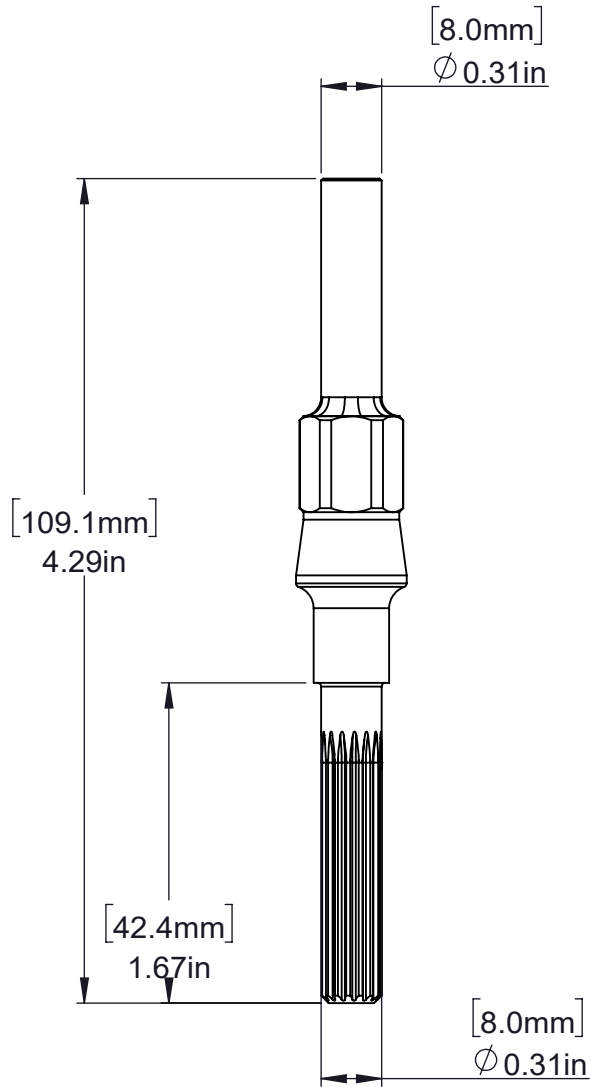


## 15T Spline Vortex Shaft



MATERIAL:

Steel

FINISH:

As Machined

DATE:

12/10/2024