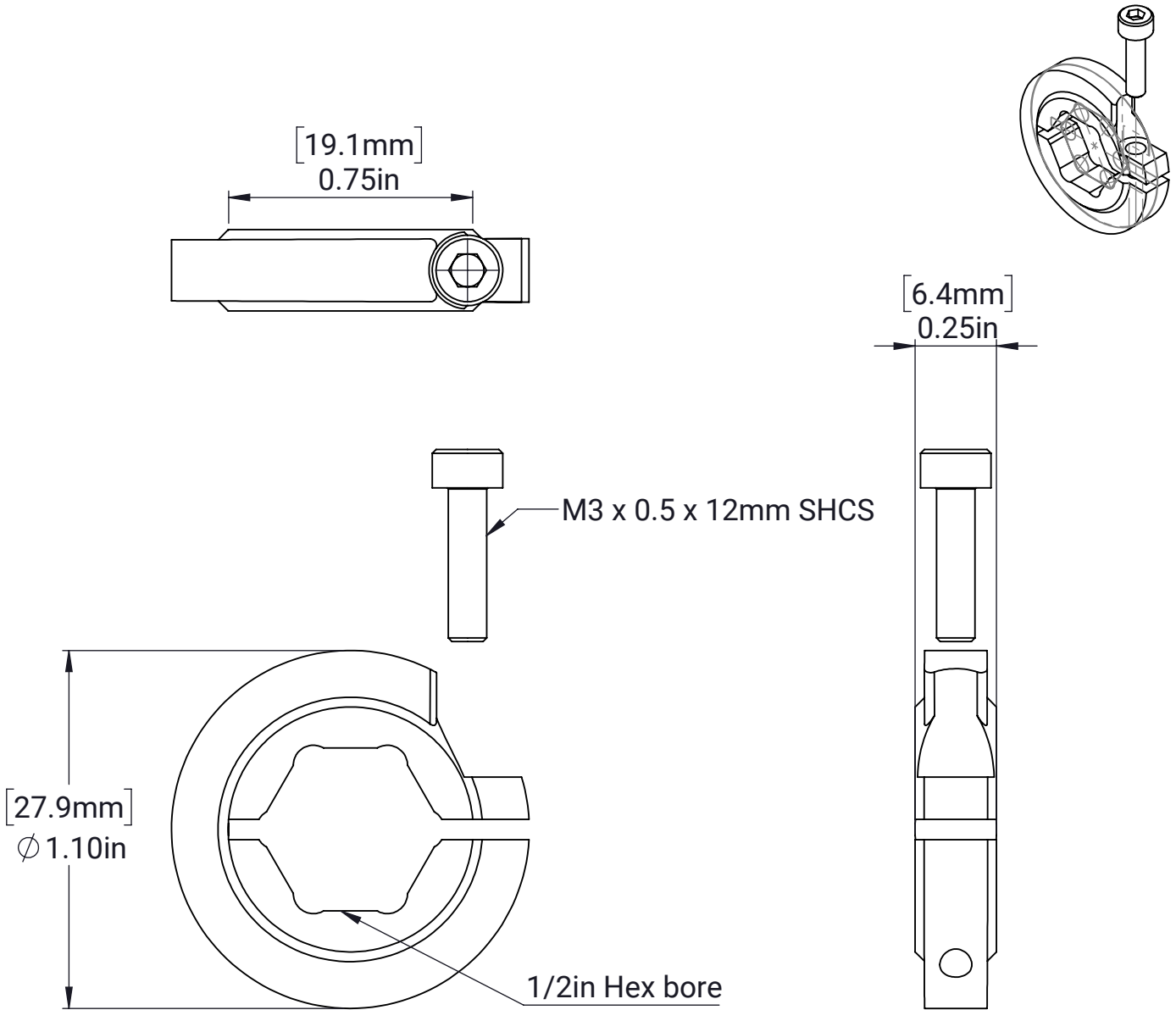


M3 Shaft Collar



MATERIAL:

6061 Aluminum

FINISH:

Black Anodized

DATE:

10/4/2024