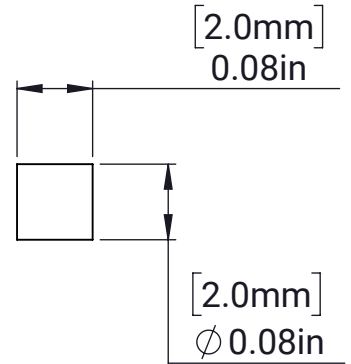
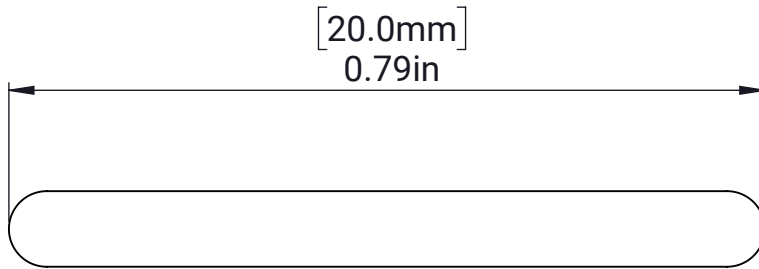
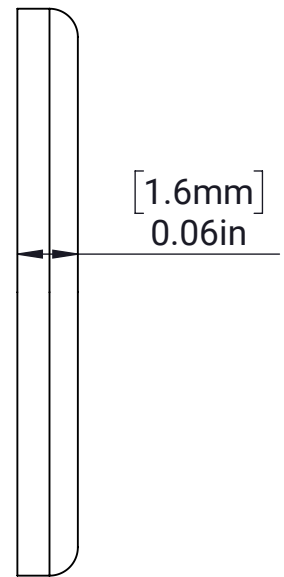
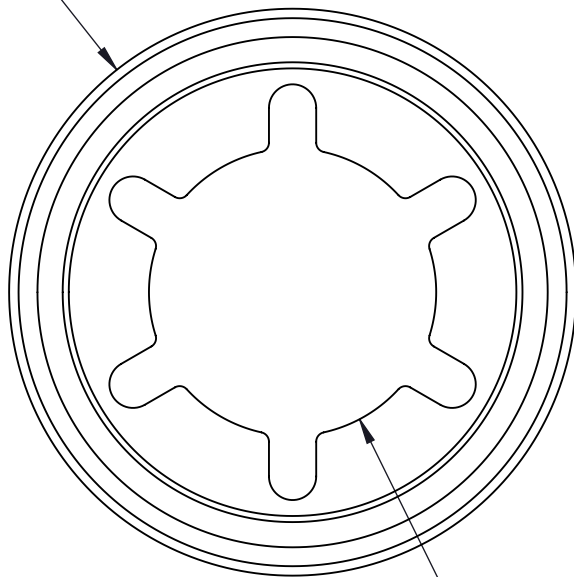


**8mm Keyed Shaft Retaining
Hardware Pack**



[15.0mm]
Ø 0.59in



For 8mm keyed shaft

MATERIAL:

N/A

FINISH:

N/A

DATE:

3/5/2024