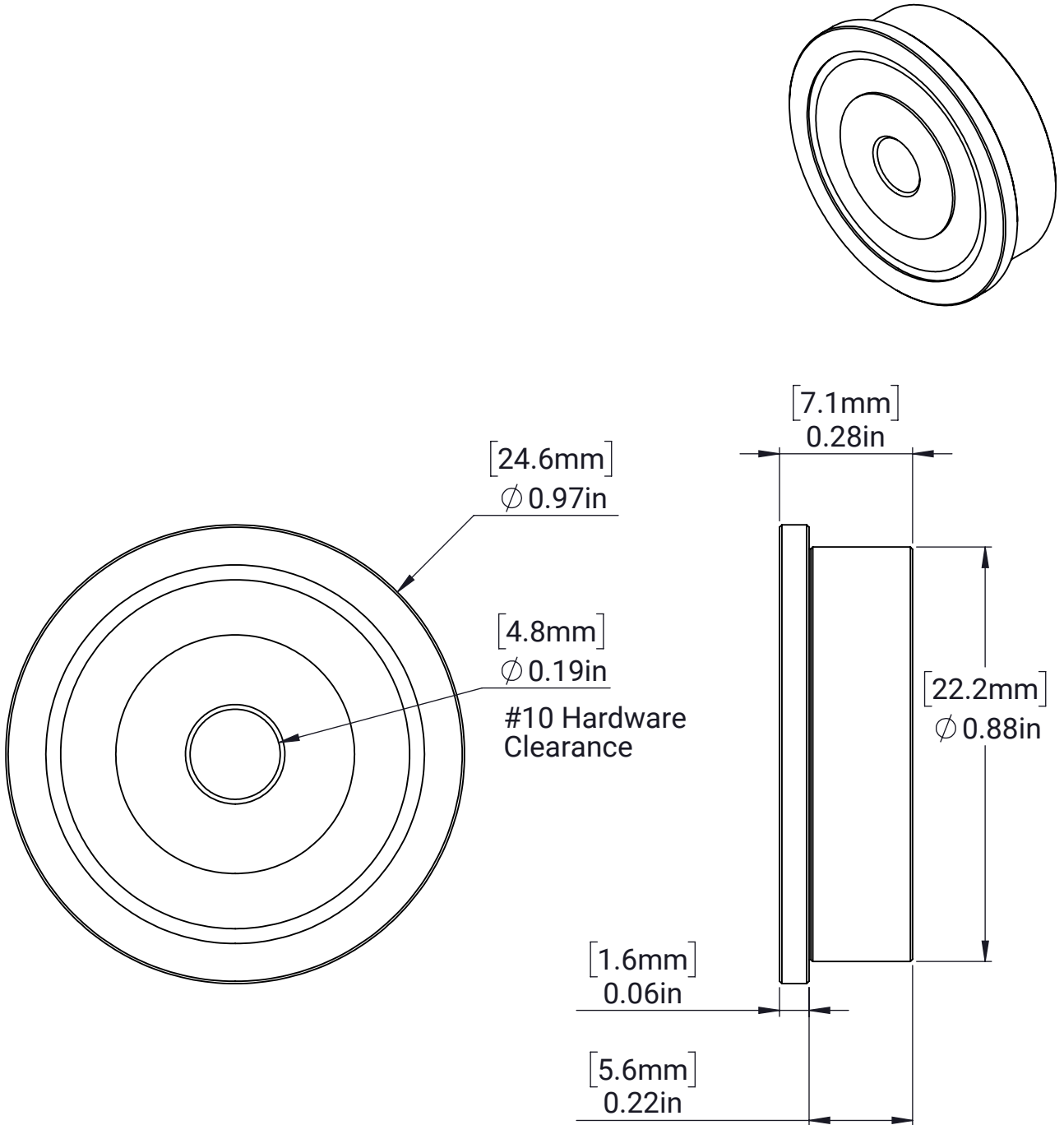


#10 Clearance Bearing - Flanged - 7/8in OD



MATERIAL:

Steel

FINISH:

N/A

DATE:

12/13/2024