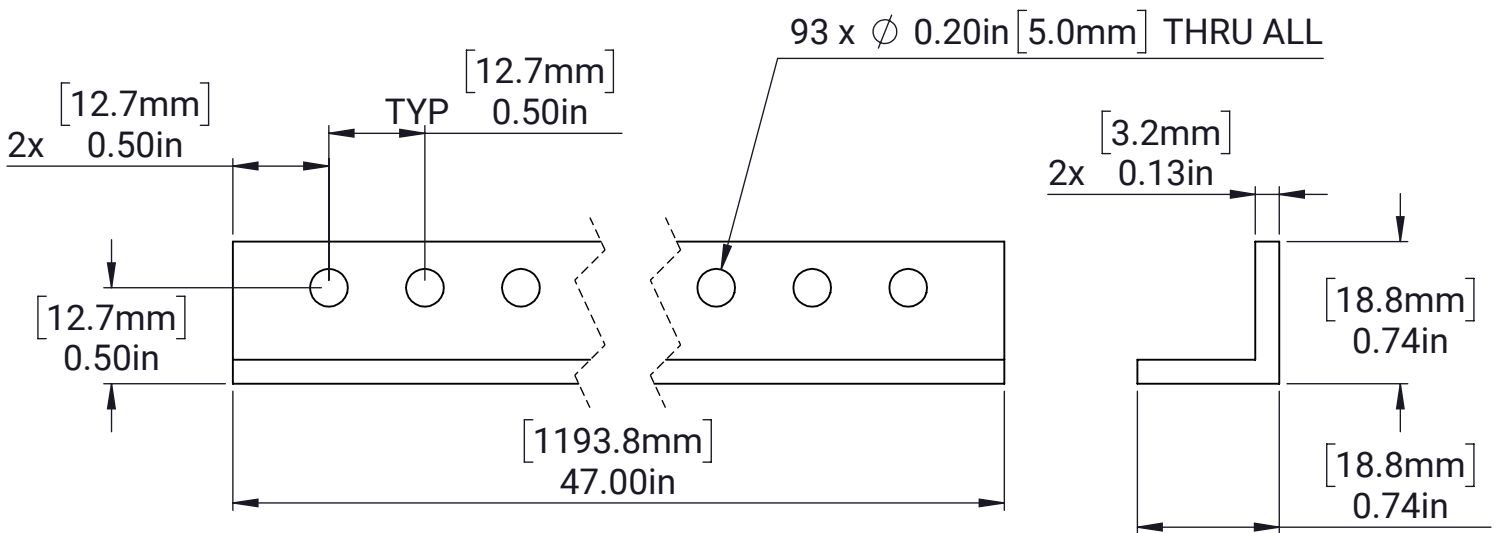


Aluminum Angle - 0.74in x 0.74in - 47in



MATERIAL:

Aluminum 6061

FINISH:

Clear Anodized

DATE:

12/16/2024