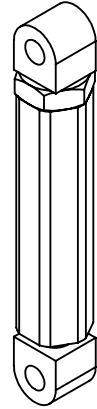
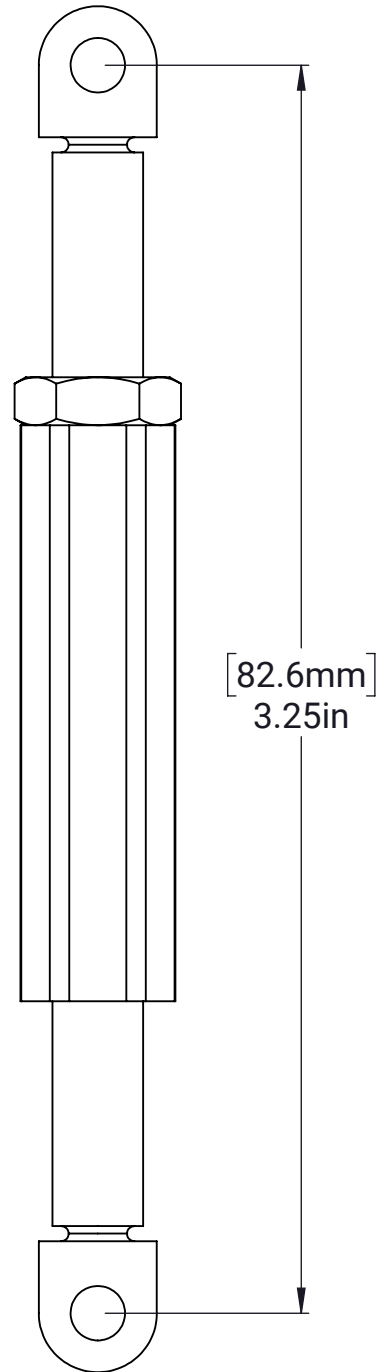
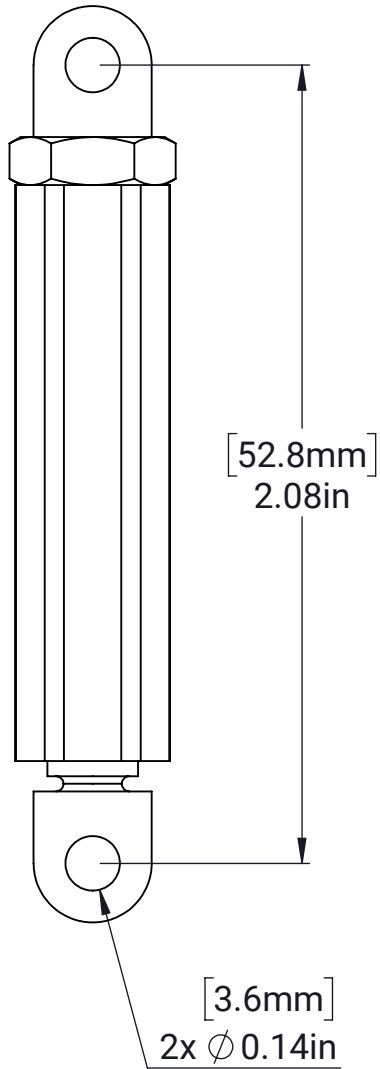
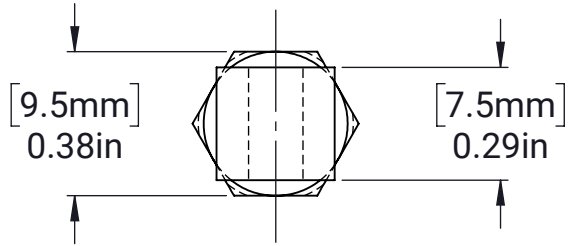


#35 Chain Turnbuckle



MATERIAL:

STEEL

FINISH:

BLACK OXIDE

DATE:

12/6/2024