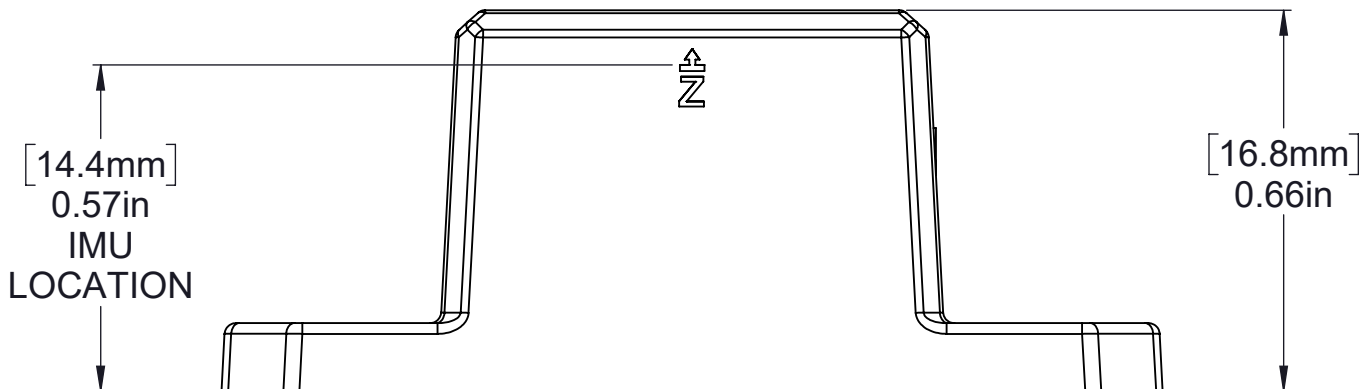
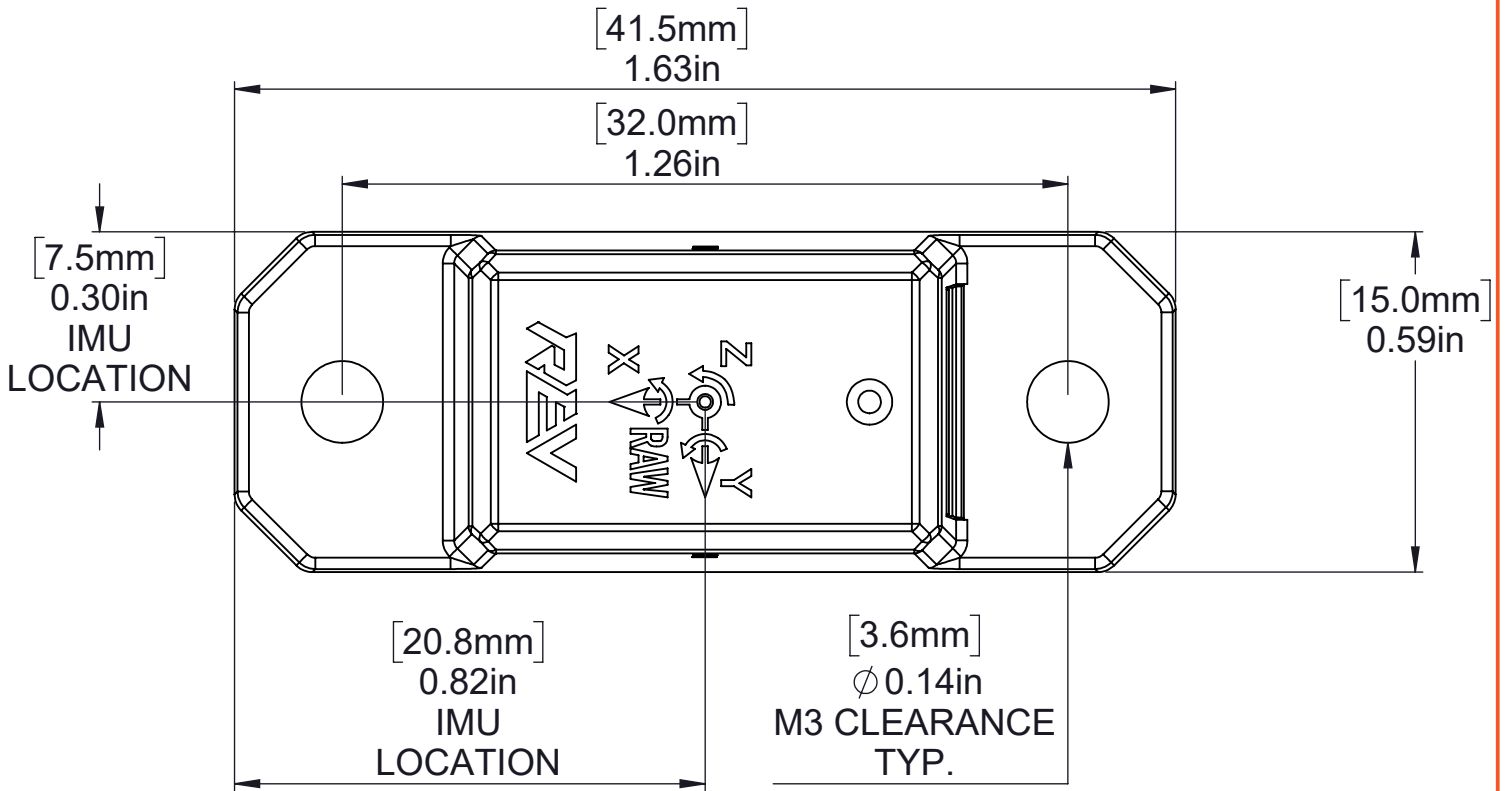


9-Axis IMU



MATERIAL:

FINISH:

DATE:

10/16/2024